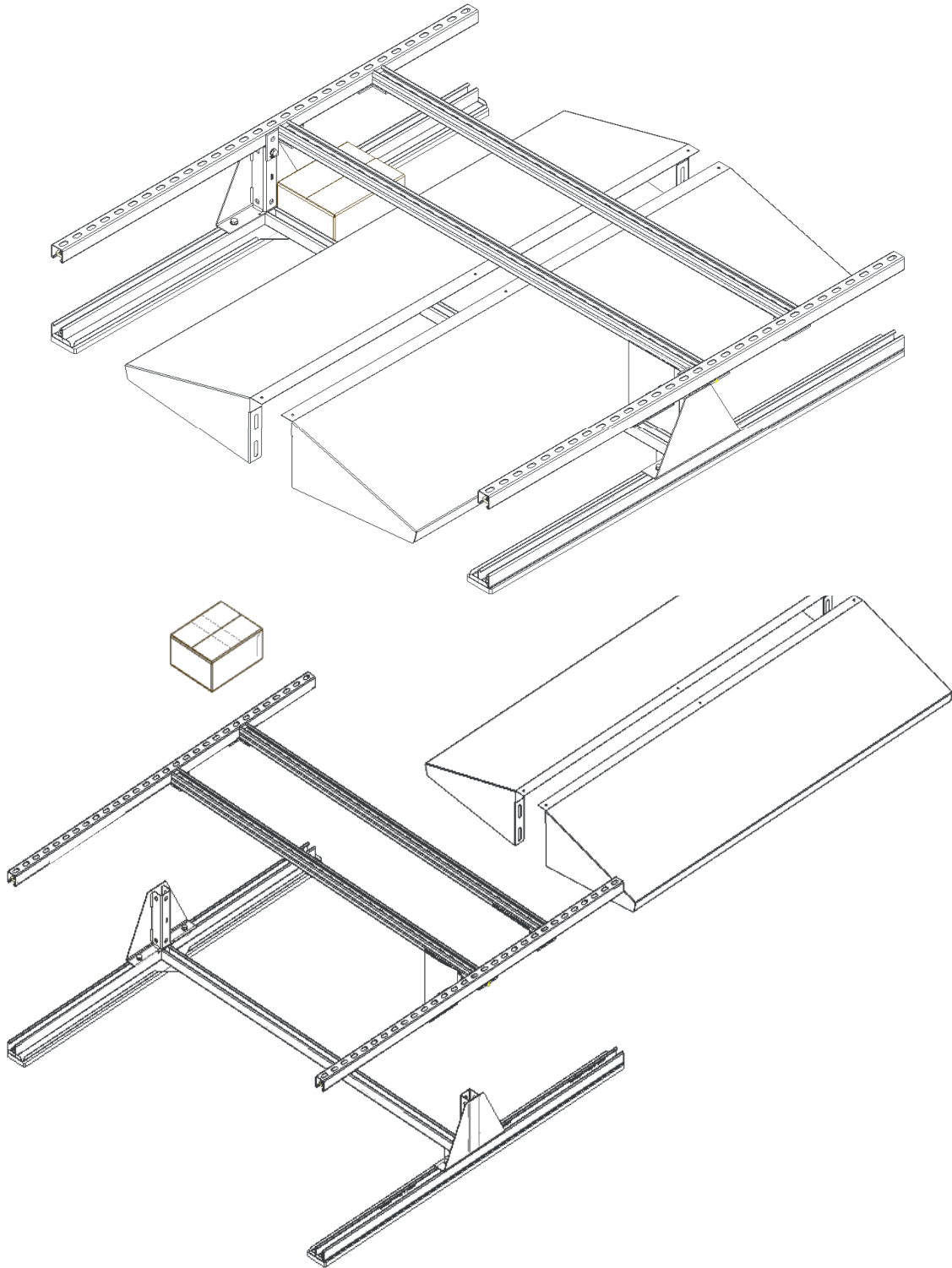
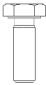

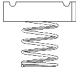
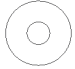







PV Inverter Shelter **Double**

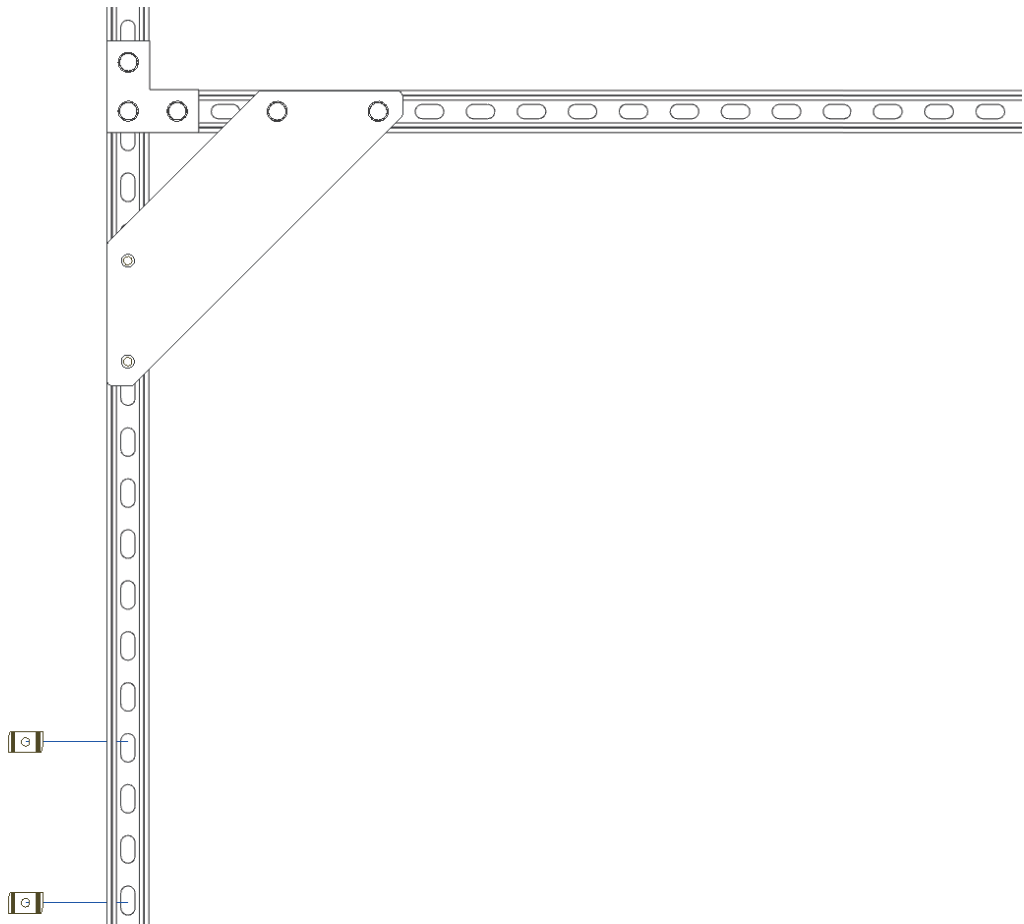
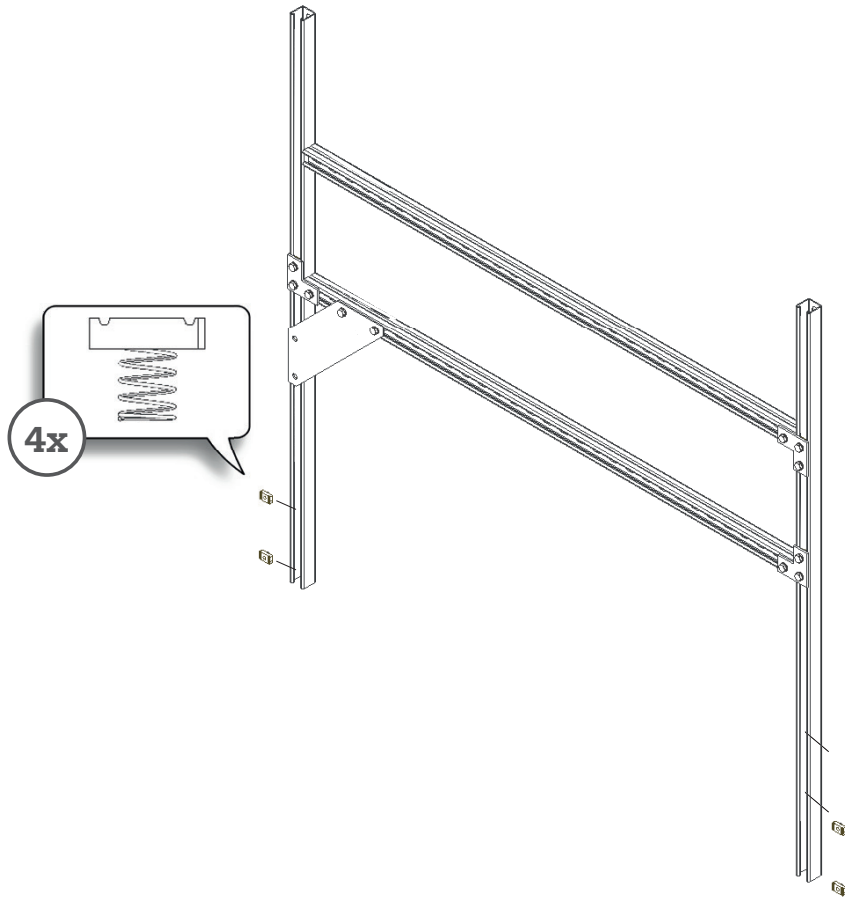
For installation of the PV Inverter Shelter Double, all steps should be completed.
For installation of the PV Inverter Shelter Single, step 4 can be skipped.
For installation of the PV Inverter Shelter Wall, only step 5 is required.



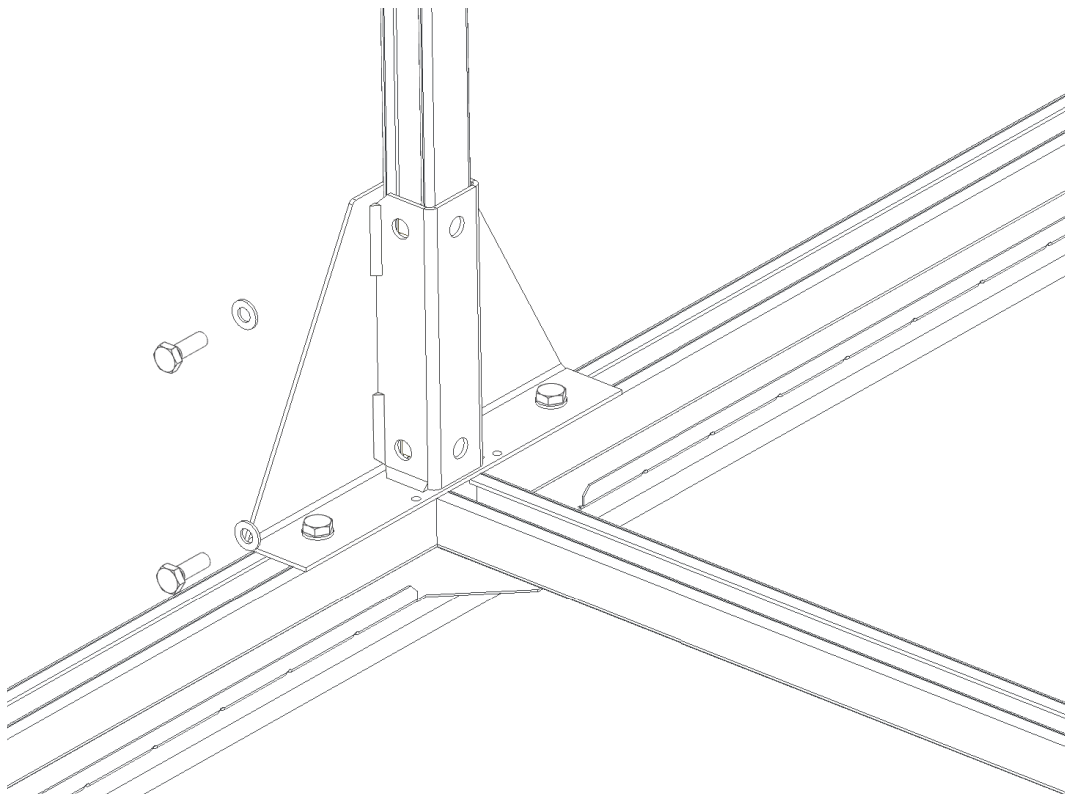
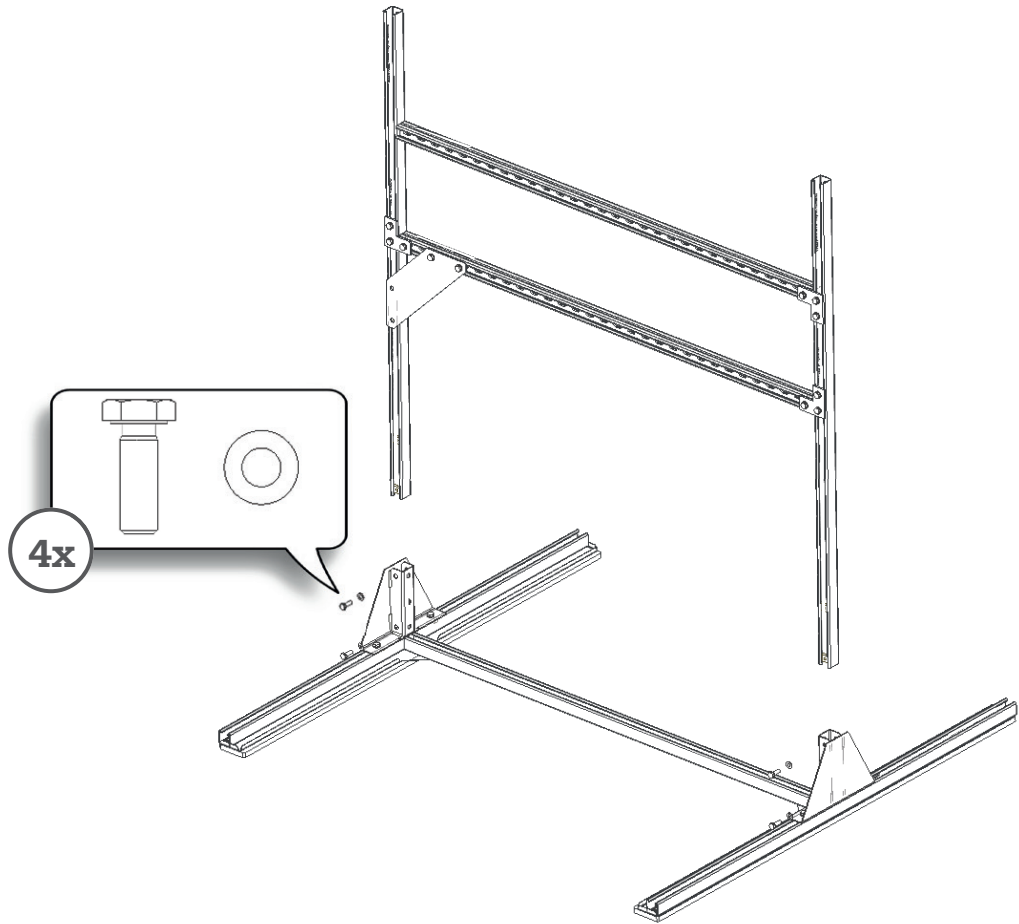
- | | | | | | | |
|---|---|---|---|---|---|---|
|  |  |  |  |  |  |  |
| 4x | 4x | 4x | 8x | 4x | 4x | 3x |

Required tools: socket wrench 17 mm

1



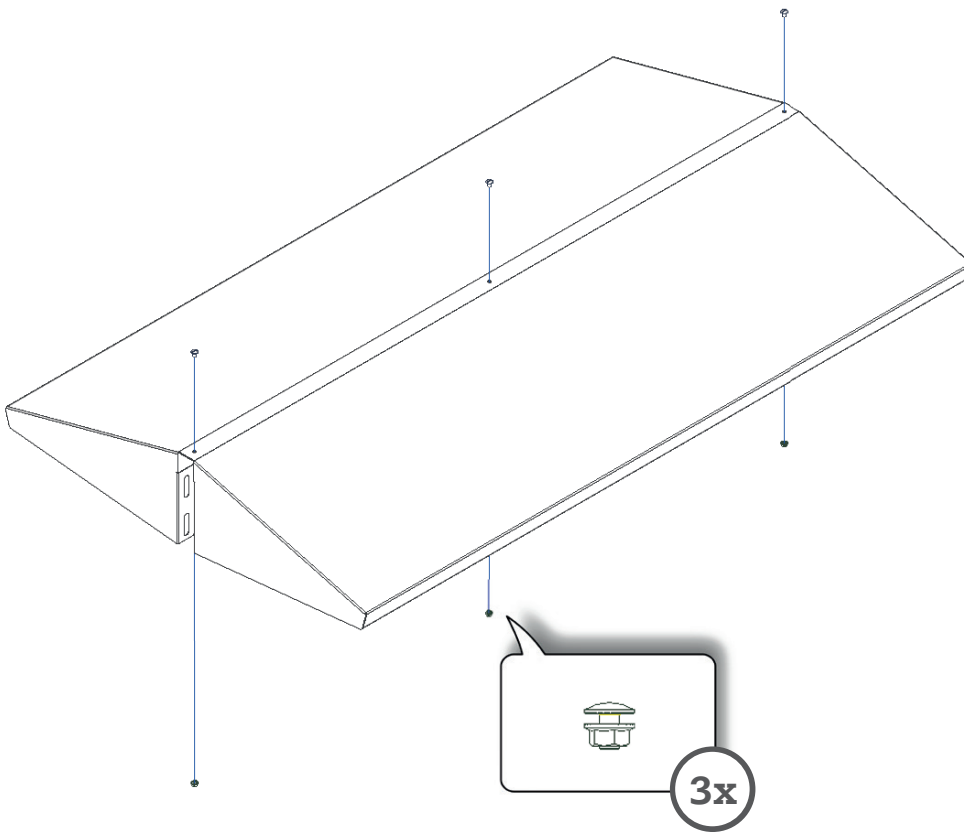
2

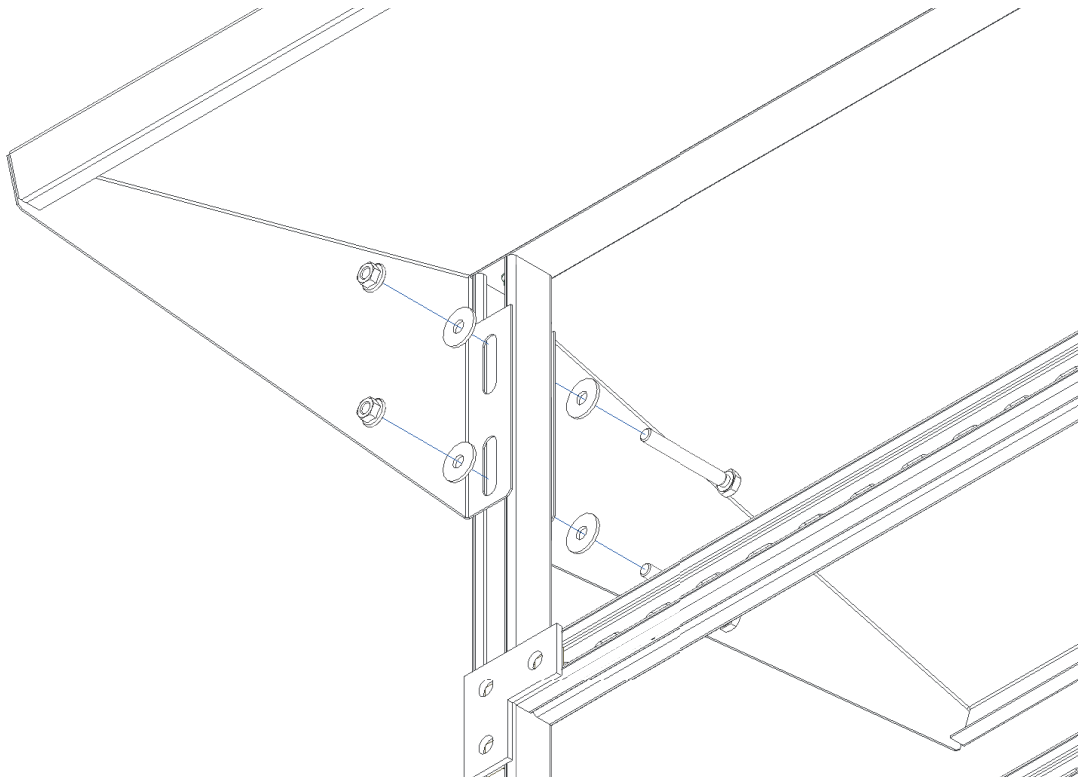
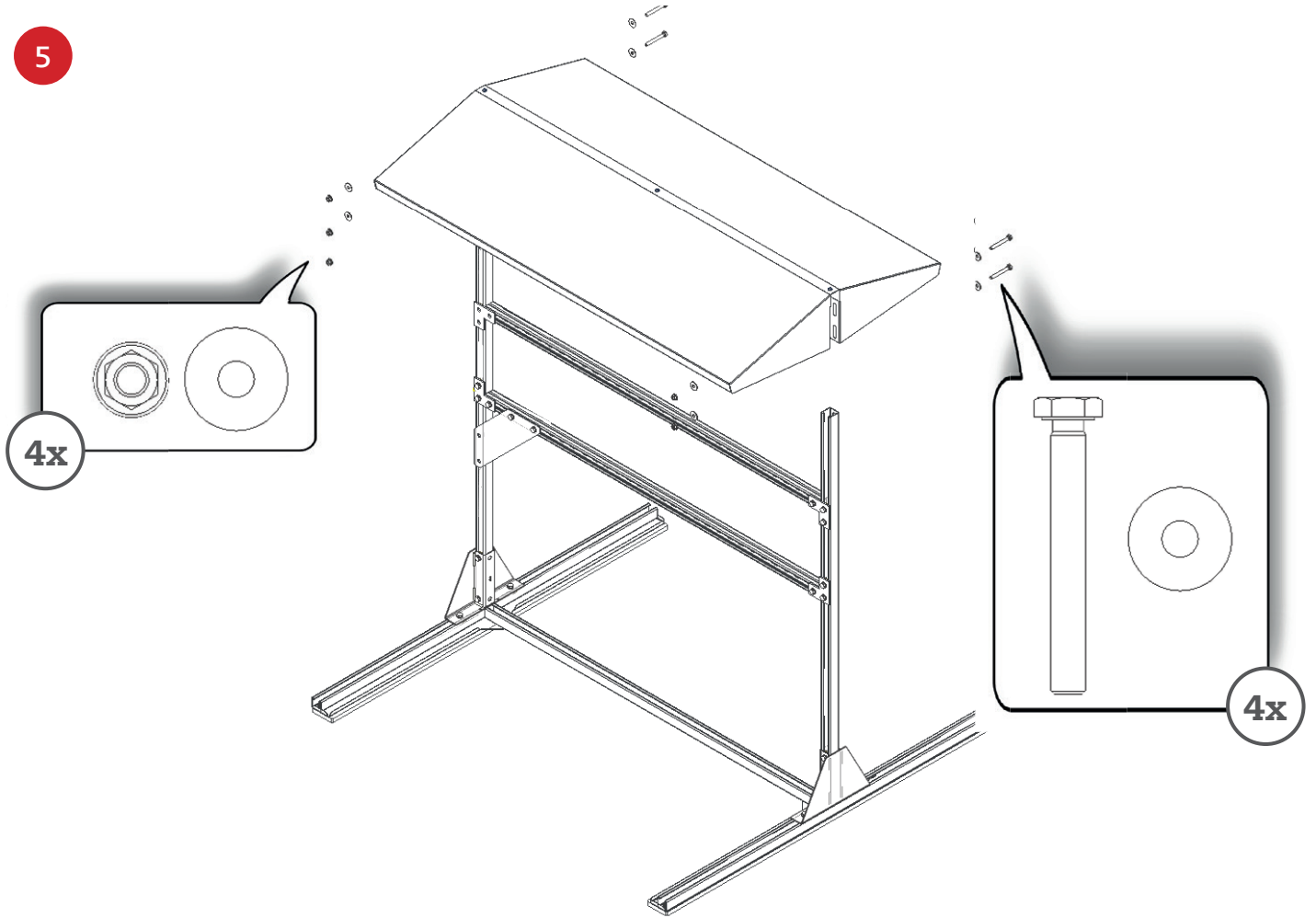


3



4





Et voilà!

