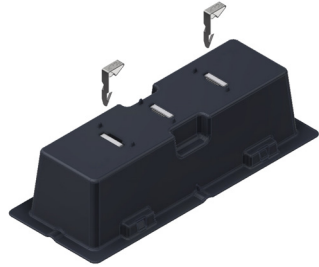


Datasheet ValkCableCare - Support block

Technical specifications The ValkCableCare support block guarantees secure mounting of cable baskets on flat roofs. The plastic roof support is supplied with two fixing clips.

Article information

Article number	760215
Description	ValkCableCare - Support block
GTIN code	08719632528500
Image	
Dimensions	278x110x74 mm
Weight	1 kg per pc
No. of pcs per box	10 pcs

Application

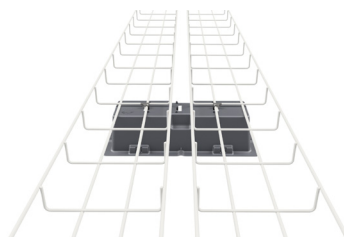
- The support block is equipped with three mounting slots for flexible mounting of single or multiple cable baskets per support block. The mounting clips (760209) can be easily pressed into the slots. With the mounting clip for PVC pipes (760211), it is also possible to mount PVC pipes (16-19 mm) on the support block.
- The support block features a large surface area that ensures high stability.
- Suitable for **all types** of roofing materials.

Material

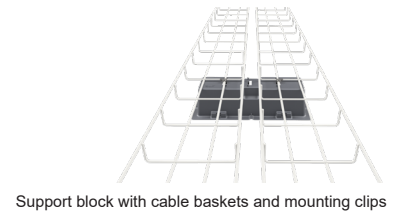
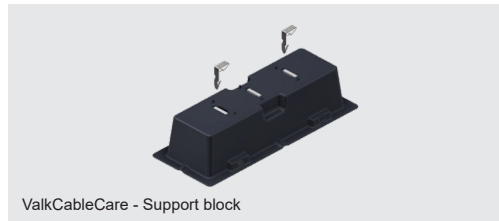
- Polypropylene, aluminium, concrete
- UV-resistant
- Suitable for temperatures from -20°C to +60°C
- Equipped with 1 kg concrete block

Installation

- The barbs of the fixing clips should be oriented towards the aluminium profiles after which they can be pressed into the mounting slots.
- Cable baskets should be supported with a support block at least every 1500 mm.


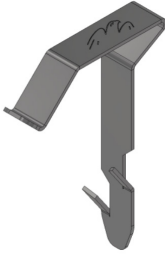


CONTACT DETAILS | DEVELOPER AND PRODUCER OF SOLAR MOUNTING SYSTEMS



Datasheet ValkCableCare - Support block

To be used with

Article number	760209	760211
Description	Ss. mounting clip support block	Ss. mounting clip for PVC tubes
GTIN code	08719632526216	08719632528753
Image		
Dimensions	16x6,5x30 mm	29x6,5x40 mm
Weight	0,002 kg per pc	0,002 kg per pc
No. of pcs per box	100 pcs	100 pcs

CONTACT DETAILS | DEVELOPER AND PRODUCER OF SOLAR MOUNTING SYSTEMS